



INDUSTRIAL TOUCH SCREEN COMPUTER

SIO-W221-8365UE

21.5" Stainless Steel Panel PC with Intel® Core™ i5-8365UE Processor

Features

- 21.5" Full HD 16:9 LCD with resistive 5-wire / projected capacitive touch
- Intel® Core™ i5-8365UE Processor, 4.10 GHz
- 1x DDR4 2400MHz 8 GB memory slot, 1x mSATA 128 GB for internal storage
- M12 2x LAN, 4x USB, 2x COM
- 1x Full-size Mini PCIe for expansion
- Support 110V to 240V AC power input by M12 Power Connector
- Fanless Operation from -10°C to 50°C
- Full system IP66/IP69K with Stainless Steel SUS316 construction
- Touch Function ON/OFF Switch
- Scratch-resistant 7H Tempered Glass
- Optical Bonding for ultimate clarity
- Pressure Valve SUS316 VENT IP68

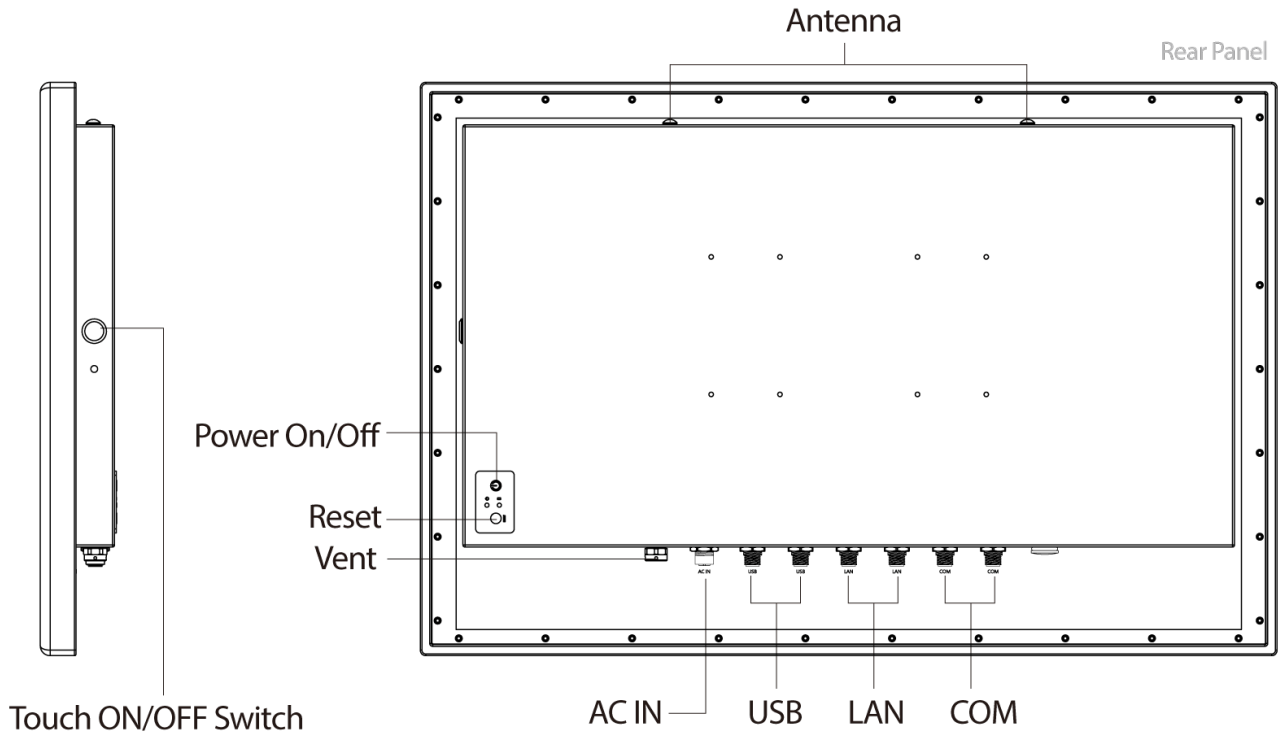


Specifications

| Display | |
|---|--|
| IP Rating | IP66/IP69K |
| LCD Size | 21.5" (16:9) |
| Max. Resolution | 1920 x 1080 (FHD) |
| Brightness (cd/m ²) | 350 |
| Contrast Ratio | 1000:1 |
| LCD Color | 16.7M |
| Pixel Pitch (mm) | 0.248 (H) x 0.248 (V) |
| Surface hardness | >3H |
| Response time | 12ms |
| Viewing Angle | 89 / 89 / 89 / 89 (Typ.) (CR>=10) |
| Backlight MTBF | 60000 hrs (LED Backlight) |
| Operating Temperature | 0°C to 60°C |
| Storage Temp. | -20°C to 60°C |
| Touch | |
| Surface hardness | Resistive 5-wire >3H Projected Capacitive 7H |
| Touch points | Resistive Single point Projected Capacitive 2 point |
| Impact absorption | Projected Capacitive IK07 |
| System | |
| Processor | |
| Intel® Core™ i5-8365UE Processor 6M Cache, up to 4.10 GHz | |
| System Chipset | SoC Integrated |
| LAN Chipset | GbE1: Intel® I210-IT (Support Wake-on-LAN and PXE) GbE2: Intel® I219-LM (Support Wake-on-LAN and PXE) |
| Audio Codec | Realtek ALC886 |
| System Memory | 1x 260-Pin DDR4 2400MHz SO-DIMM slot, Max 32GB (Default 8 GB) |
| TPM | TPM 2.0 Through Infineon® SLB9665TT2.0 or Equivalent |
| Storage | |
| mSATA | 1x mSATA (Default 128 GB) |
| SIM Socket | 1x Internal SIM socket |
| Expansion | |
| Mini PCIe | 1x Full-size Mini PCIe |
| I/O | |
| COM | 2x RS-232/422/485 by M12 A-Code 8-pin |
| LAN | 2x LAN by M12 X-Code 8-pin |
| USB | 4x USB 2.0 by M12 A-code 8-pin |
| Others | 2x WiFi Antenna (Optional) Power On/Off, Reset IP68/IP69K SUS 316 Vent |
| Operating System | |
| Windows | Windows 10, Windows 7, WES7 |
| Linux | Linux kernel 3.X |

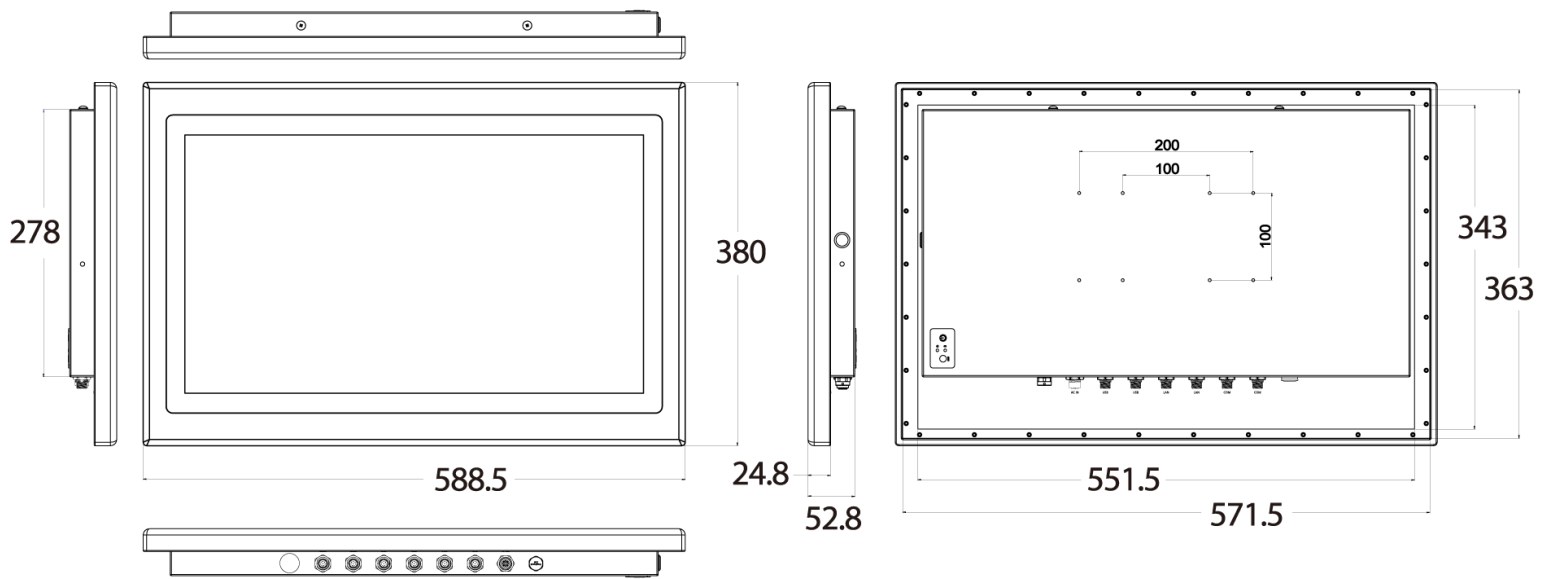
| Power | |
|-----------------------|--|
| Power Mode | ATX |
| Power Supply Voltage | 110 ~ 240V AC Input |
| Power Connector | M12 S-code 4-pin |
| Environment | |
| Operating Temperature | -20°C to 50°C |
| Storage Temperature | -20°C to 70°C |
| Relative Humidity | 10% ~ 80% (non-condensing) |
| IP Level | Full System IP66/IP69K |
| Certification | CE, FCC Class A |
| Vibration | With SSD: 2.4 Grms, 5 - 500 Hz, 0.5 hr/axis With HDD: 1 Grms, 5 - 500 Hz, 0.5 hr/axis |
| Shock | With SSD: 20G, half sine, 11ms |
| Physical | |
| Dimensions | 588.5 (W) x 380 (H) x 52.8 (D) mm |
| Weights | 8.6 kg |
| Construction | Stainless Steel SUS316 with Optical bonding |
| Mounting Options | VESA Mounting Holes 100 x 100mm or 200 x 100mm Optional Yoke Mount, Panel Mount |

External I/O Mechanical Layout



Dimension

Unit: mm



Available Models

| Model No. | Description |
|---------------------|--|
| SIO-W221C-i5-8365UE | 21.5" FHD Capacitive Touch Stainless Steel Panel PC with Intel CPU i5-8365UE, AC IN, Optical bonding |
| SIO-W221R-i5-8365UE | 21.5" FHD Resistive Touch Stainless Steel Panel PC with Intel CPU i5-8365UE, AC IN, Optical bonding |

Optional Accessories

| Model No. | Description |
|-------------|---|
| 1-TPWR00092 | Waterproof M12 S-CODE 4P PWR Cable(SUS316L)_Type_US L=3M |
| 1-TPWR00106 | Waterproof M12 S-CODE 4P PWR Cable(SUS316L)_Type_EU L=3M |
| 1-TCOM00032 | Waterproof M12 A-CODE 8P COM Cable(SUS316L)_DB9 L=1.5M |
| 1-TLAN00024 | Waterproof M12 X-CODE 8P LAN Cable(SUS316L)_CAT 5E_RJ45 L=1.5M |
| 1-TUSB00057 | Waterproof M12 A-CODE 8P USB 2.0 Cable(SUS316L)_Type A*2 L=1.6M |

Packing List

- 1x SIO-W221-i5-8365UE
- 7x Waterproof Connector Cover Set