



SIO-215-J1900

15" Stainless Steel Panel PC with Intel® Celeron® J1900

Features

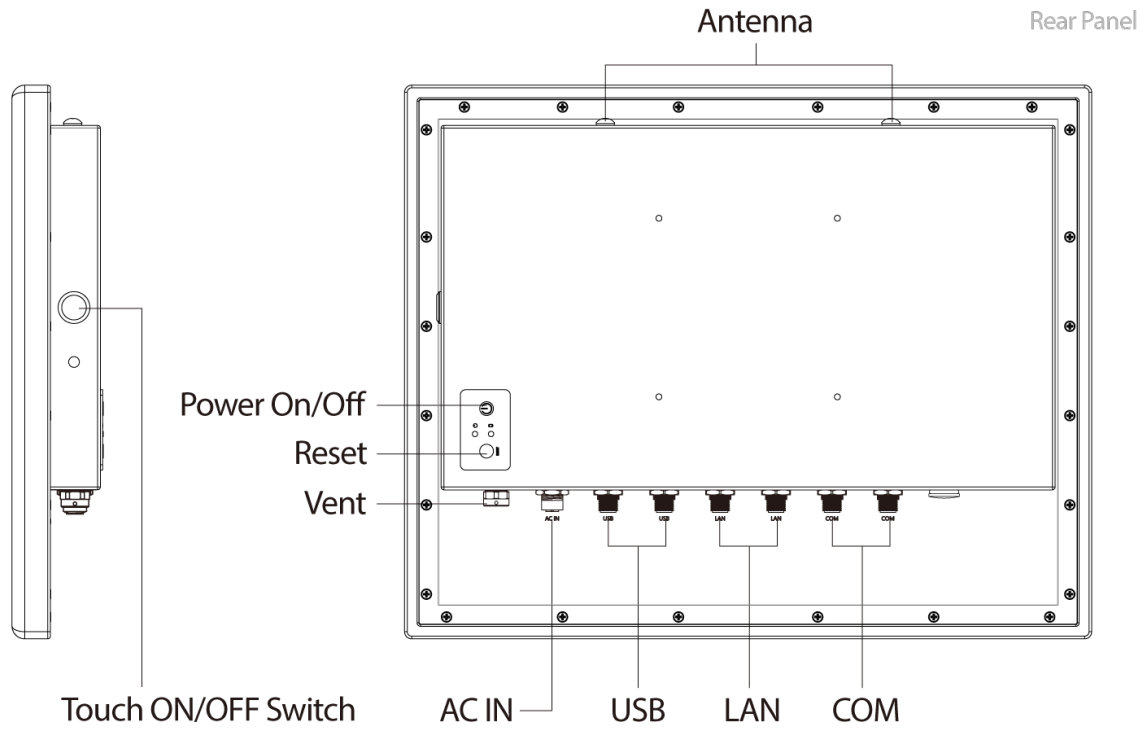
- 15" TFT XGA 4:3 LCD with resistive 5-wire / projected capacitive touch
- Intel® Celeron® processor J1900, 2.0 GHz
- 1x 204-pin DDR3L SODIMM. 8 GB
- 1x mSATA (Default 128 GB)
- M12 2x LAN, 4x USB, 2x COM
- 1x Full-size Mini PCIe for expansion
- Support 110V to 240V AC power input
- Fanless Operation from -20°C to 55°C
- Full system IP66/IP69K with Stainless Steel SUS316 construction
- Touch Function ON/OFF Switch
- Scratch-resistant 7H Tempered Glass
- Optical Bonding for ultimate clarity
- Pressure Valve SUS316 VENT IP68



Specifications

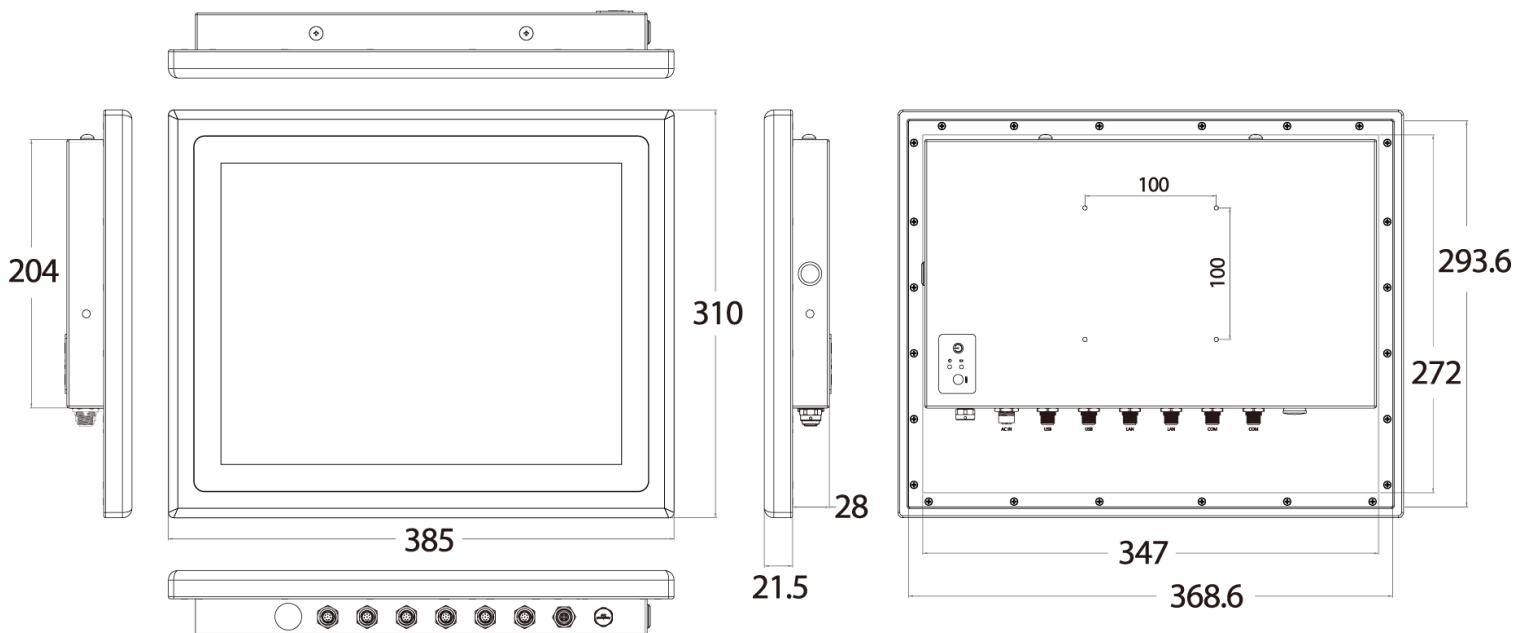
Display		Power	
IP Rating	IP66/IP69K	Power Mode	ATX
LCD Size	15" (4:3)	Power Supply Voltage	110 ~ 240V AC Input
Max. Resolution	1024 x 768	Power Connector	M12 S-code 4-pin
Brightness (cd/m ²)	300	Environment	
Contrast Ratio	2500:1	Operating Temperature	-20°C to 55°C optional wide Temp. -20°C to 60°C
LCD Color	16.7M	Storage Temperature	-20°C to 70°C
Pixel Pitch (mm)	0.297 (H) x 0.297 (V)	Relative Humidity	10% ~ 80% (non-condensing)
Surface hardness	>3H	IP Level	Full System IP66/IP69K
Response time	16ms	Certification	CE, FCC Class A
Viewing Angle	88 / 88 / 88 / 88 (Typ.) (CR>=10)	Vibration	With SSD: 2.4 Grms, 5 - 500 Hz, 0.5 hr/axis With HDD: 1 Grms, 5 - 500 Hz, 0.5 hr/axis
Backlight MTBF	70000 hrs (LED Backlight)	Shock	With SSD: 20G, half sine, 11ms
Operating Temperature	-20°C to 70°C	Physical	
Storage Temp.	-30°C to 70°C	Dimensions	385 (W) x 310 (H) x 49.5 (D) mm
Touch		Weights	5.96 kg
Surface hardness	Resistive 5-wire >3H Projected Capacitive 7H	Construction	Stainless Steel SUS316 with Optical bonding
Touch points	Resistive Single point Projected Capacitive 2 point	Mounting Options	VESA Mounting Holes 100 x 100mm Optional Yoke Mount, Panel Mount
Impact absorption	Projected Capacitive IK07	System	
System		Processor	Intel® Celeron® Processor J1900, Quad Core, 2MB Cache, 2.0 GHz
Processor	Intel® Celeron® Processor J1900, Quad Core, 2MB Cache, 2.0 GHz	System Chipset	SoC Integrated
System Chipset	SoC Integrated	LAN Chipset	GbE1: Intel® I210-IT (Support Wake-on-LAN and PXE) GbE2: Intel® I210-IT (Support Wake-on-LAN and PXE)
LAN Chipset	GbE1: Intel® I210-IT (Support Wake-on-LAN and PXE) GbE2: Intel® I210-IT (Support Wake-on-LAN and PXE)	Audio Codec	Realtek ALC886
Audio Codec	Realtek ALC886	System Memory	1x 204-pin DDR3L SODIMM. max up to 8GB (Default 8 GB)
System Memory	1x 204-pin DDR3L SODIMM. max up to 8GB (Default 8 GB)	TPM	TPM1.2 supported
TPM	TPM1.2 supported	Storage	
Storage		mSATA	1x mSATA (Default 128 GB)
mSATA	1x mSATA (Default 128 GB)	SIM Socket	1x Internal SIM socket
SIM Socket	1x Internal SIM socket	Expansion	
Expansion		Mini PCIe	1x Full-size Mini PCIe
Mini PCIe	1x Full-size Mini PCIe	I/O	
I/O		COM	2x RS-232/422/485 by M12 A-Code 8-pin
COM	2x RS-232/422/485 by M12 A-Code 8-pin	LAN	2x LAN by M12 X-Code 8-pin
LAN	2x LAN by M12 X-Code 8-pin	USB	4x USB 2.0 by M12 A-code 8-pin
USB	4x USB 2.0 by M12 A-code 8-pin	Others	2x WiFi Antenna (Optional) Power On/Off, Reset IP68/IP69K SUS 316 Vent
Others	2x WiFi Antenna (Optional) Power On/Off, Reset IP68/IP69K SUS 316 Vent	Operating System	
Operating System		Windows	Windows 10, Windows 7, WES7
Windows	Windows 10, Windows 7, WES7	Linux	Linux kernel 3.X
Linux	Linux kernel 3.X		

External I/O Mechanical Layout



Dimension

Unit: mm



Available Models

Model No.	Description
SIO-215C-J1900	15" XGA Capacitive Touch Stainless Steel Panel PC with Celeron Processor J1900, AC IN, Optical bonding
SIO-215R-J1900	15" XGA Resistive Touch Stainless Steel Panel PC with Celeron Processor J1900, AC IN, Optical bonding

Optional Accessories

Model No.	Description
1-TPWR00092	Waterproof M12 S-CODE 4P PWR Cable(SUS316L)_Type_US L=3M
1-TPWR00106	Waterproof M12 S-CODE 4P PWR Cable(SUS316L)_Type_EU L=3M
1-TCOM00032	Waterproof M12 A-CODE 8P COM Cable(SUS316L)_DB9 L=1.5M
1-TLAN00024	Waterproof M12 X-CODE 8P LAN Cable(SUS316L)_CAT 5E_RJ45 L=1.5M
1-TUSB00057	Waterproof M12 A-CODE 8P USB 2.0 Cable(SUS316L)_Type A*2 L=1.6M

Packing List

- 1x SIO-215-J1900
- 7x Waterproof Connector Cover Set