



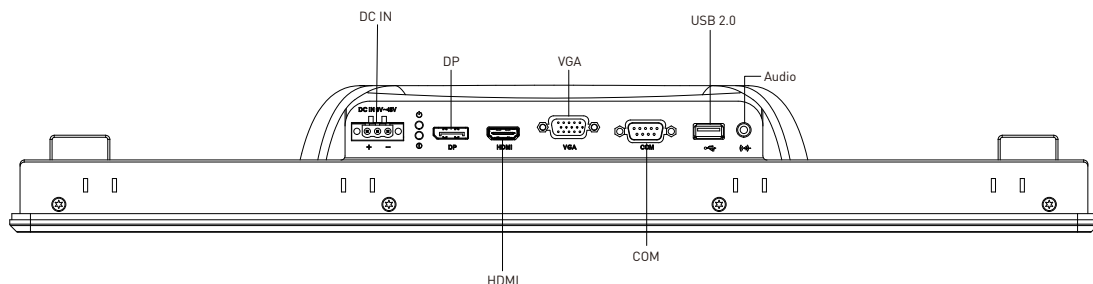
FEATURES

- 21.5" TFT FHD 16:9 LCD with Resistive 5-wire / Projected Capacitive Touch
- 1x VGA, 1x HDMI, 1x DisplayPort, 1x USB 2.0, 1x COM, 1x Audio
- 9 to 48VDC wide range power input
- -10°C to 60°C extended operating temperature
- Designed with Aluminum Die-Casting Front Frame
- IP65 Compliant Front Panel
- Two 10W Internal Speakers Built-in
- Multi-language OSD built-in

Display	
LCD Size	21.5" (16:9)
Max. Resolution	1920 x 1080 (Full HD)
Brightness (cd/m <sup>2</sup> )	300 / 1000 (Optional)
Contrast Ratio	5000:1
LCD Color	16.7M
Pixel Pitch (mm)	0.248 (H) x 0.248 (V)
Viewing Angle (H-V)	178 / 178 (Deg.)
Backlight MTBF	50000 hrs (LED Backlight)
Touch	
Resistive 5-wire	VIO-W221R / MX200
Projected Capacitive	VIO-W221C / MX200
I/O	
VGA	1x VGA Input
HDMI	1x HDMI Input
DisplayPort	1x DisplayPort Input
USB 2.0	1x USB 2.0 Input
COM Port	1x COM Port Input (Resistive Touch Only)
Audio	1x Audio Input
Other Features	
Internal Speaker	AMP 10W + 10W
OSD	LCD On/Off, Auto, Menu, Up and Down Multi-language

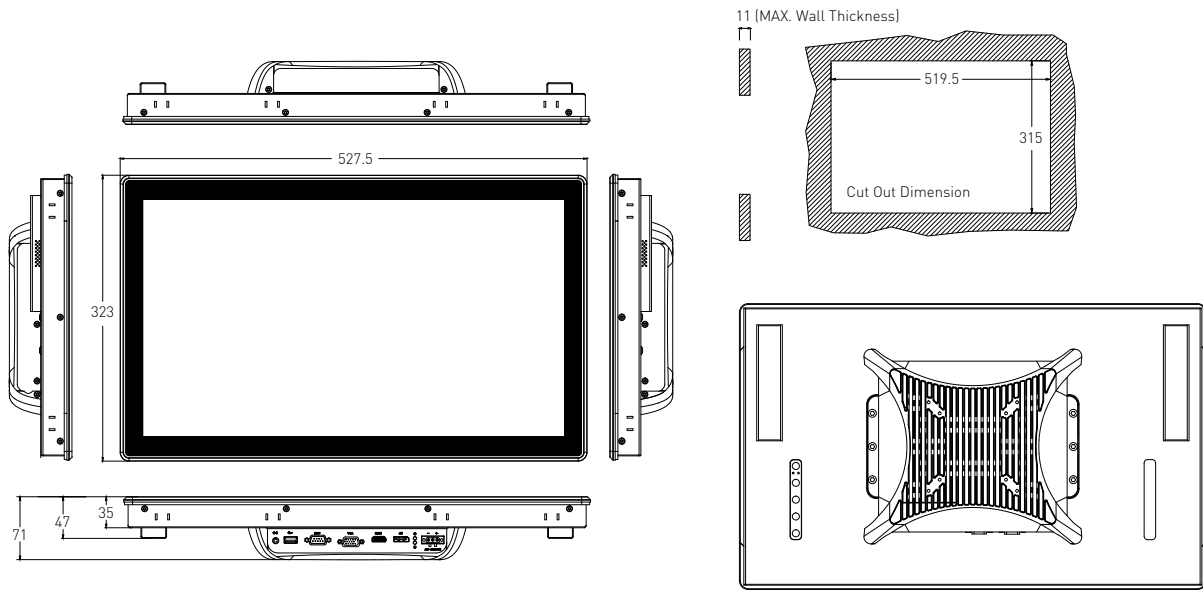
Power	
Power Supply Voltage	9~48VDC
Power Connector	3-pin Terminal Block
Power Adaptor	Optional AC/DC 12V/5A, 60W
Power Protection	OVP (Over Voltage Protection) OCP (Over Current Protection) Reverse Protection
Environment	
Operating Temp.	-10°C to 60°C
Storage Temp.	-20°C to 60°C
Relative Humidity	10%~80% (non-condensing)
IP Level	IP 65 Compliant Front Panel
Vibration	1.5 Grms, 5 - 500 Hz, 0.5 hr/axis
Shock	20G, half sine, 11ms
Standards / Certification	CE, FCC Class A
Physical	
Front Panel Construction	Die-cast Flat Surface
Dimension	527.5 (W) x 323 (D) x 71 (H) mm
Weight	7.7 kg ~ 8.09 kg
Mounting	VESA Mounting Holes 75 x 75mm, 100 x 100mm

EXTERNAL I/O MECHANICAL LAYOUT



Rear I/O

## DIMENSION



Unit: mm

## ORDERING INFORMATION

MODEL NO.	DESCRIPTION
1-E09A06008	Adapter AC/DC 12V 5A 60W with 3pin Terminal Block Plug 5.0mm Pitch
SFICBL022	Power Cord, 3-pin US Type, 180cm
1-TPCD00002	Power Cord, European Type, 180cm
1-TPCD00001	Power Cord, 3-pin UK Type, 180cm

## PACKING LIST

- 1x VIO-W221/MX200 Series Touch Monitor
- 12x Panel Mount Kit
- 1x USB Cable
- 1x VGA Cable
- 1x Screw Pack

## AVAILABLE MODELS

MODEL NO.	DESCRIPTION
VIO-W221R/MX200	21.5" 16:9 FHD Resistive Touch Thin Frame Monitor with 2x 10W Speaker
VIO-W221C/MX200	21.5" 16:9 FHD Capacitive Touch Thin Frame Monitor with 2x 10W Speaker