

PX210W-J

10.1" TFT 1280x800 with
Intel Celeron CPU
Windows 10.0



Ordering Information

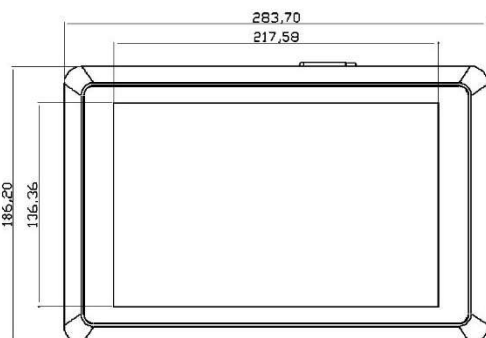
PX210WC-J6	10.1" Capacitive, Intel Celeron J6412
PX210WR-J6	10.1" Resistive, Intel Celeron J6412

Hardware

Intel Celeron J6412 (2.0GHz)
J6412: 8GB RAM, 256GB Flash
J6412: 2 x GbE RJ-45
2 x RS232 (422/485 option)
WiFi 2.4G & 5G, BT 4.0, (SIM/GPS option)
2 x USB 2.0, 2 x USB 3.0
1 x HDMI, 1 x VGA
1 x Line-out/Mic-in, 2 x built-in Speakers

Mechanical

Dimension 283.7 (W) x 186.2 (H) x 60.0 (D) mm
Net weight 2.2 (Kgs)
Cut-out 269.8 (W) x 172.3 (H)
Panel Mount, VESA 75x75/100x100
Aluminum front bezel and chassis (Black)



Display & Touch

10.1" TFT-LCD, 1280x800
Brightness 300 (cd/m ²)
View angle 170/170 (H°/V°)
Backlight Lifetime 50,000 hours
Contrast 1000:1
Capacitive/Resistive touch

OS & Power

Win 10 / Linux
12~24VDC, < 48 watts

Environmental

IP65 Front
Op. Temp -10°C ~ 50°C
Storage Temp. -20°C ~ 70°C
10% to 90% @ 40°C (non-condensing)
CE/FCC (EN 55022, EN 55024, EN 61000-3-2, EN 61000-3-3)

