

# PA210W-R3

Web HMI (Android)  
10.1" TFT 1280x800 with  
Quad-core A76 + Quad-core A55



## Ordering Information

PA210W-R3

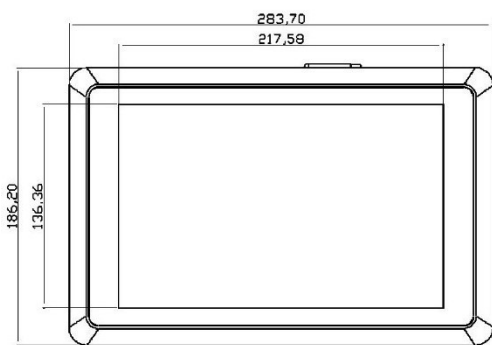
10.1" Capacitive, 4GB RAM, 64GB Flash

### Hardware

ARM Quad-core A76 + Quad-core A55 Processor  
4GB RAM, 64GB Flash, 1 x microSD  
2 x GbE RJ-45, 2 x RS232, 1x RS485, 1 x CAN (option)  
WiFi6 2.4G/5G, Bluetooth BT 5.0, (SIM/GPS option)  
3 x USB 3.0, 1 x USB OTG  
1 x HDMI 1080P@120fps or 4K/8K@60fps  
1 x Line-out/Mic-in, 2 x built-in Speakers

### Mechanical

Dimension 283.7 (W) x 186.2 (H) x 60.0 (D) mm  
Net weight 2.2 (Kgs)  
Cut-out 269.8 (W) x 172.3 (H)  
Panel Mount, VESA 75x75/100x100  
Aluminum front bezel and chassis (Black)



### Display & Touch

10.1" TFT-LCD, 1280x800  
Brightness 300 (cd/m<sup>2</sup>)  
View angle 170/170 (H°/V°)  
Backlight Lifetime 50,000 hours  
Contrast 1000:1  
Capacitive touch

### OS & Power

Android 12.0  
12~24VDC, < 35 watts

### Environmental

IP65 Front  
Op. Temp -10°C ~ 50°C  
Storage Temp. -20° ~ 70°C  
10% to 90% @ 40°C (non-condensing)  
CE/FCC (EN 55022, EN 55024, EN 61000-3-2, EN 61000-3-3)

